



Synco™ living

Starter kit

Room unit with 1 radiator control actuator

KIT911

Room unit with 4 radiator control actuators

KIT914

-
- **Wireless room temperature control system for heating applications consisting of:**
 - One QAW912 room unit
 - One or four SSA955 radiator control actuators
 - **The starter kit can be extended with additional SSA955 units to a maximum of 6 radiator control actuators**
 - **RF communication based on KNX standard (868 MHz bidirectional)**
 - **Room temperature control for up to 2 heating zones**
 - **Operation and display of heating functions**
 - **Acquisition of room temperature via QAW912 and a SSA955**
 - **Battery operation with standard 1.5 V batteries**

Use

- Selection of room operating mode, activation of comfort timer/absence timer, and setting time switch, holiday duration and room temperature setpoints
- Display room heating function and status messages (including all radiator control actuators connected via RF)
- Acquisition of the room temperature of both heating zones
- Can be deployed in heating plants to actuate Siemens and other suppliers' radiator valves
- Use max. 6 radiator control actuators grouped in one zone or distributed on two zones
- Acquire heat demand from both zones and transmit to heat generation via RRV912 relay contact or KRF960 RF adapter plug
- No tool is needed for commissioning.
- Deployed especially for:
 - Renovation market
 - Difficult wall mounting (sandstone, glass, etc.)
 - Flexible room design (changing decorations, different furniture)
 - New buildings
- With the exception of the QAW912, all devices of the starter kit can continue to be used when a plant is extended by the Synco living central apartment unit

Equipment combinations

The starter kit can be used together with the following Siemens Synco living products:

Device designation	Type	Documentation
Integration of other radiators:		
Radiator control actuator	SSA955	N2700en
Transmit heat demand:		
Heating circuit controller	RRV912	N2705en
RF adapter plug, switching	KRF960-x	N2718en

Refer to data sheets N2700en or N2179e "Radiator valve accessories" for specific information on valve and valve adapter combinations for the SSA955.

Ordering

When ordering, please specify quantity, product number (SSN), and product designation.

Order valves and valve adapters separately.

Scope of delivery

The starter kit is supplied with multilingual instructions (G2720xx), alkaline batteries and required fittings.

Order numbers	Type (ASN)	Product number (SSN)	Product designation
	QAW912	S55621-H102	Room unit - 2 heating zones
	KIT911	S55621-H103	Starter kit - 1 actuator
	KIT914	S55621-H104	Starter kit - 4 actuators

Functions

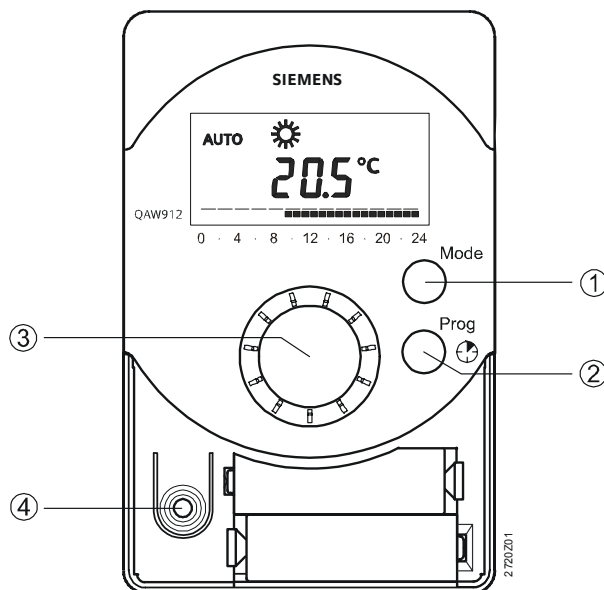
Main function	The QAW912 manages room heating control for up to 2 heating zones and 6 SSA955 radiator control actuators. The QAW912 allows for operating all room heating functions while all data is displayed clearly on the display. At the same time, the QAW912 measures the room temperature in the first zone and can pass on by radio the acquired heat demand of both zones.
Room operating mode	The room operating mode can be changed over between Automatic, Manual Comfort, Manual Economy, and Manual Protection using the "Mode" button on the QAW912. The room operating mode acts on both zones.
Time switch	A separate time switch offering 6 switching points a day is available for each zone, allowing for changeover between Comfort and Economy setpoints. The current day profile is displayed graphically on the QAW912.
Room temperatures	The QAW912 measures the room temperature of the first zone. The room temperature of the second zone is measured via the SSA955 lead controller's internal sensor and transmitted to the QAW912. Both room temperatures are displayed on the QAW912. Three different setpoints (Comfort, Economy, and Protection) can be entered for both zones.
Year clock	The QAW912 has a year clock with automatic changeover between daylight saving time and standard time.
Timer function	The timer function can activate Comfort or Economy mode for both zones for up to 96 hours. Pressing the Timer/Prog button on the QAW912 activates and displays the timer function. The Mode button allows for switching between Comfort and Economy. Economy operation is used to save energy during short periods of absence. The original room operating mode is restored automatically after the set period expires. The timer function acts on both zones.
Holiday function	A holiday period in days can be entered on the QAW912 for both zones for extended periods of absence. Protection or Economy mode may be selected as the holiday operating mode. After the holiday period expires, the original room operating mode is restored automatically. The active holiday function is displayed on the QAW912.
Optimum start / stop control	The QAW912 continuously acquires the heating and cooling behavior for the heating zones. Thus, the switch on / off times for heating per zone can be shifted forward such that when the time switch changes the temperature level in automatic mode, the desired room temperature is attained at exactly the time entered. The forward shift is displayed on the QAW912. The maximum forward shift for optimum start control (change to Comfort mode) can be set in a range from 0 (no optimum start control) to 48 hours. The maximum forward shift for optimum stop control (change to Economy mode) can be set in a range from 0 (no optimum stop control) to 6 hours.

Heat demand	The QAW912 generates the heat demand signal from the present valve positions of the two zones. The heat demand signal is forwarded as a switching command via RF to the RRV912 or KRF960.
Parallel operation of radiator control actuators	A maximum of 6 radiator control actuators SSA955 can be operated: Grouped for one zone or distributed on any two zones. The first radiator control actuator connected (lead controller) assumes actual room control and controls via radio the other radiator control actuators (parallel controllers) assigned to the same zone.
Anti-lime function	The QAW912 triggers an anti-lime function each Monday at 10:00 am to prevent the valve plug from sticking when the plant is not operated for extended periods of time. Here, the valve actuators fully open and close once (valve kick). The anti-lime function acts on all SSA955 radiator control actuators.
Silent mode	In noise-sensitive rooms (e.g. bedrooms), SSA955 radiator control actuators can be operated at a reduced noise level by zone. The SSA955 requires more actuator energy in silent mode which reduces battery life.
Special SSA955 functions	The SSA955 integrated in the starter kit supports supplemental, autonomous functions, e.g. calibration. The exact function descriptions can be found in data sheet CE1N2700en for the SSA955.
Communication	All devices from the starter kit communicate via radio.
Create radio connections	Selecting the corresponding function (Zone 1, Zone 2, or heat demand) on the QAW912 and pressing the connection, function button on the corresponding component connects individual RF components to the QAW912.
Display device list	A list with all connected RF devices is maintained in the QAW912 to check connections.
Binding test	After activating test mode on the QAW912, the binding test for individual peripheral devices is triggered via the binding or the multifunction button. An optical and acoustic signal indicates error-free connections on the QAW912.
Device monitoring	QAW912 monitors the connected SSA955 radiator control actuators. An error message is displayed when there is no RF communication.
RF failure	The SSA955 radiator control actuators autonomously control to a room temperature setpoint of 21 °C using the internal room temperature sensor when RF communication is interrupted between the QAW912 and the components to be controlled. The components return to the original control mode after RF communication is reestablished.
QAW912 failure	The SSA955 radiator control actuators use the internal room-temperature sensor to autonomously control to a room temperature setpoint of 21 °C.
Supply state	The multifunction button can be used to reset the QAW912 to its supply state. The complete starter kit system must then be reconnected.
Error messages / maintenance messages	The QAW912 displays internal as well as error and maintenance messages of partner devices:

Error messages	Symbols	Description
LbAt		Battery capacity low QAW912 or SSA955 (Low Battery)
noCo		RF communication error (no Communication)
CLoC		Invalid time (Clock).
CAli		Calibration error for SSA955 (Calibration)
noLc		No lead controller bound (no Lead Controller), configuration error
SEnS		Defective room temperature sensor QAW912 or SSA955 (Sensor)

Operating and display elements

QAW912



Operating elements	Function
① Mode button	<ul style="list-style-type: none"> - Selection of operating mode (Automatic, Manual Comfort, Manual Economy, Manual Protection) - Selection of timer operating mode (Comfort, Economy) - Leaving programming or commissioning mode.
② Timer/Prog button	<ul style="list-style-type: none"> - Activation and setting of timer function - Activation of programming mode - Switching between value adjustment and line selection
③ Setting knob	<ul style="list-style-type: none"> - Selection of various information displays - Selection of operating line and adjusting values in programming or commissioning mode
④ Multifunction button (under the battery cover)	<ul style="list-style-type: none"> - Activation of commissioning mode - Deleting device from the device list - Reestablish supply state

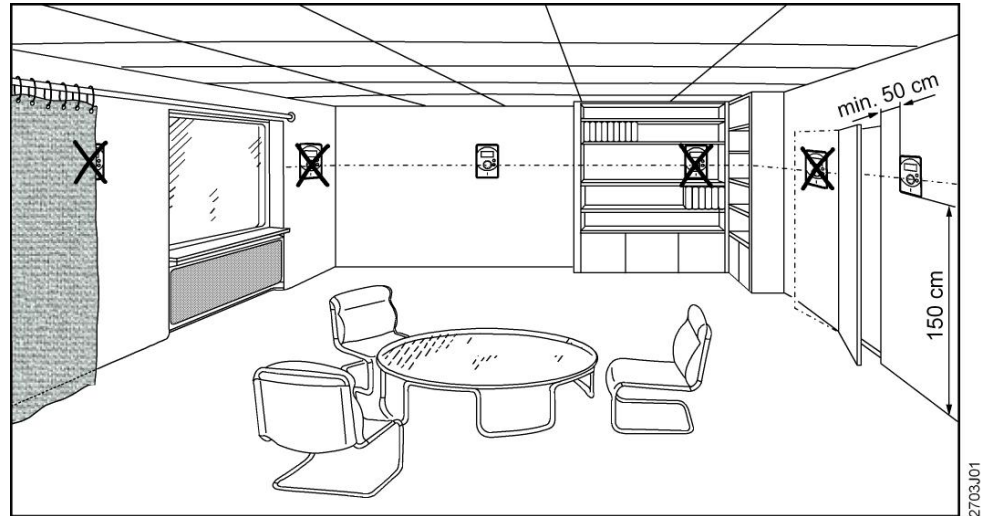
Additional information on function and operation of the QAW912 is available in the inserted instructions (G2720xx).

SSA955

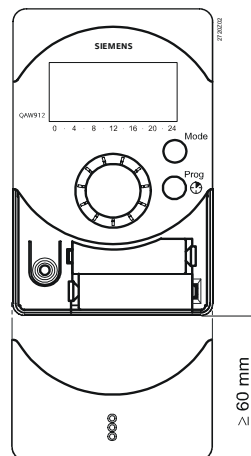
The exact description of operating and display elements for the SSA955 can be found in data sheet CE1N2700en.

Mounting location

Mount the QAW912 in the building on an interior wall, approximately 1.5 meters above the floor. The following conditions are required for the device to acquire the air temperature in the room as accurate as possible:



- Do not mount the QAW912 on an exterior wall, in niches, bookshelves, behind doors or curtains
- Do not expose the temperature measurement to the influence of direct sunlight, in a draft or other source of heat or cold
- Observe permissible environmental conditions
- Do not expose the device to dripping water
- Notes on engineering and mounting RF devices for the Siemens system Synco living are available in the communications data sheet CE1N2708en. Please note that RF repeaters cannot be used with the QAW912
- Mount the unit's wall base on a flat wall
- Maintain a minimum clearance of 60 mm at the bottom to open the battery compartment



Mounting

The QAW912 is mounted on a base on the wall and fits most standard recessed conduit boxes.

Note

First mount the QAW912 and then insert the batteries.

Commissioning

Prior to commissioning, check to ensure that the QAW912 is properly mounted on the wall and whether the batteries were correctly inserted.

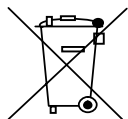
Maintenance

The QAW912 is maintenance free.

Change battery

The QAW912 signals when a battery change on the device or on a SSA955 is required. The batteries are located in the battery compartment. Batteries can be replaced in a mounted device and there is no need for using tools.

Disposal



The device is considered an electronics device for disposal in terms of European Directive 2012/19/EU and may not be disposed of as domestic garbage.

- Dispose of the device through channels provided for this purpose.
- Comply with all local and currently applicable laws and regulations.

Dispose of empty batteries in designated collection points.

Notes on SSA955

See data sheet CE1N2700en for notes on engineering, mounting and operating the SSA955.


Warranty

The application-related technical data are guaranteed exclusively with the device combinations described herein.

Siemens provides no service or warranty claims for other device combinations.

Technical data

QAW912

Power supply	Type of battery	2 x Alkaline batteries LR6 (AA); 1.5 V
	Battery life (capacity ≥ 2.5 Ah)	Typically 2 years
	reverse voltage protection	Integrated
RF	Frequency	868 MHz, bidirectional
	Range	Typically 30 meter in the building
	RF protocol	KNX RF compatible 
Temperature sensor	Sensing element	NTC 10 kOhm resistor
	Measuring range	0... 50 °C
	Time constant	20 minutes
Display	Type	Segment LCD
	Resolution	0.1 °C
Standards	Product standard	EN 60730-1. Automatic electronic controls for household and similar use.
	Electromagnetic compatibility (application)	For residential, commercial, and industrial environments.
	EU conformity (CE)	CE1T2720xx*)
Degree of protection	Safety class	III to EN 60730
	Housing	IP40 to EN 60529 (completely mounted)
	Degree of pollution	2 to EN 60730

Environmental compatibility

Environmental product declaration provides CE1E2720en*) information on environmentally compatible product design and assessment (RoHS compliance, composition of substances, packaging, environmental benefit and disposal)

*) These documents can be downloaded at the following internet address:

<http://siemens.com/bt/download>

Dimensions

Refer to "Dimensions"

Weight

Unit complete with accessories	QAW912	KIT911	KIT914
	0.630 kg	0.940 kg	1.880 kg

Housing material

Plastic ASA+PC

Housing color

White NCS S 0502-G

Ambient conditions

	Operation	Transport	Storage
	EN-60721-3-3	EN-60721-3-2	EN-60721-3-1
Environmental conditions	Class 3K5	Class 2K3	Class 1K3
Temperature	0... +50 °C	-25... +70 °C	-20... +65 °C
Humidity	5...95% r.h. (non-condensing)	<95% r.h.	5...95% r.h.
Mechanical conditions	Class 3M2	Class 2M2	Class 1M2
Maximum elevation above sea level	Min. 700 hPa, corresponding to max. 3000 meters above sea level		

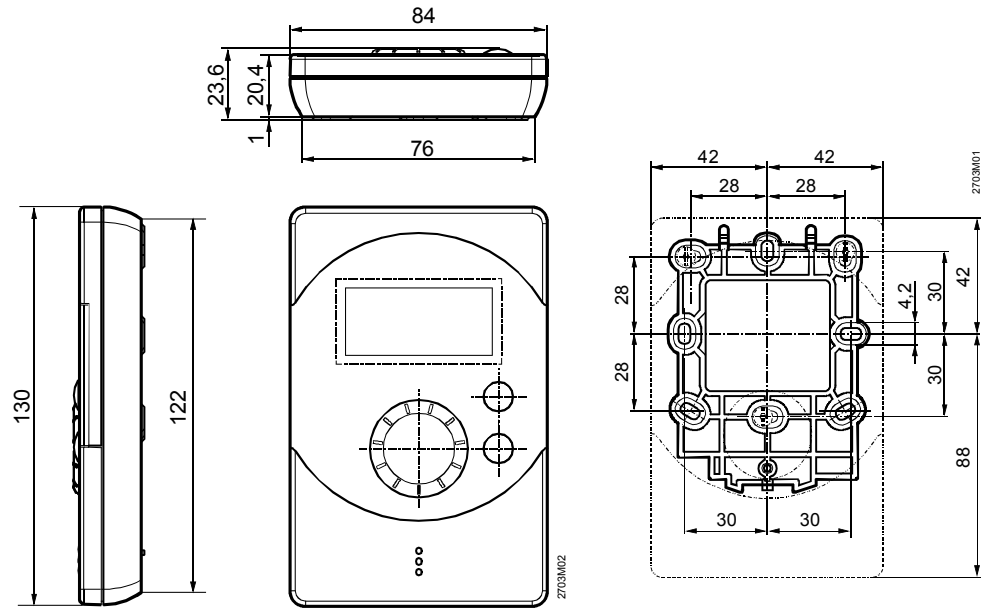
SSA955

Technical data for the SSA955 are available in data sheet CE1N2700en.

Dimensions

QAW912

Dimensions in mm



SSA955

Dimension for the SSA955 are available in data sheet CE1N2700en.

Issued by
Siemens Switzerland Ltd
Building Technologies Division
International Headquarters
Gubelstrasse 22
6301 Zug
Switzerland
Tel. +41 41-724 24 24
www.siemens.com/buildingtechnologies

© Siemens Switzerland Ltd, 2006
Technical specifications and availability subject to change
without notice.